

Timber Slats WF06
 ITEM 5 ON THE LIST
 QTY 1
 Wooden slats Panel Colour: RAL 7032
SMALL MTG ROOM



www.wood-styles.com

Copyright of designs shown herein is retained by this office. Authority is required for any reproduction. © Copyright Wood-styles Ltd.

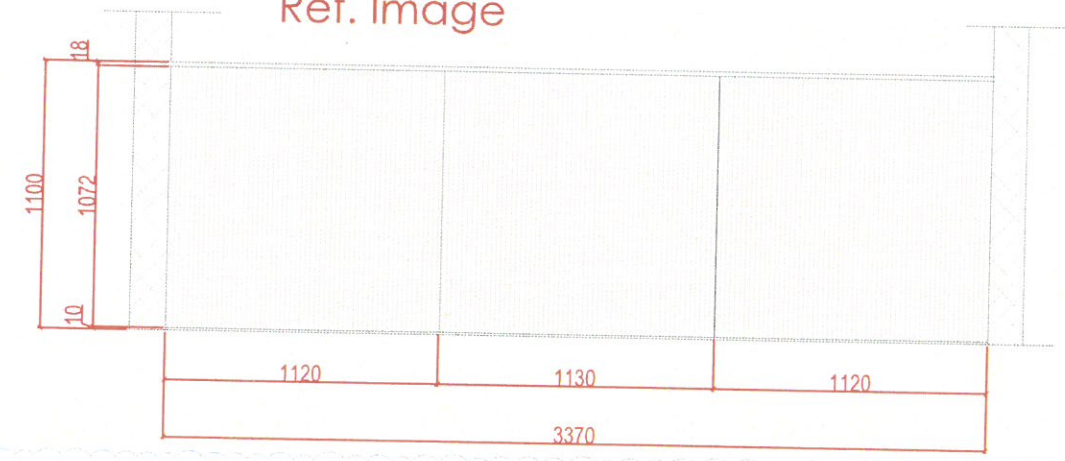
Nigeria, Lagos +234 80 9037 9888
 Email: info@wood-styles.com

Project
Citi contracting
 TetraPak Project

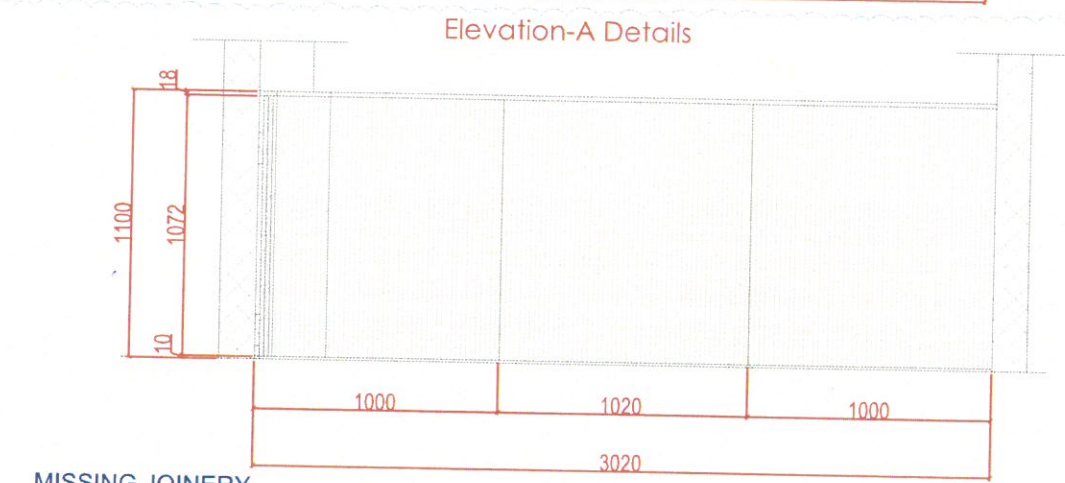
Owner

Date	Description
DSD-V1-ID-2/10/2024	- REV1
DSD-V1-ID-9/11/2024	- REV2
DSD-V1-ID-5/12/2024	- REV3
DSD-V1-ID-7/1/2025	- REV4
DSD-V1-ID-16/1/2025	- REV5

Ref. Image



Elevation-A Details



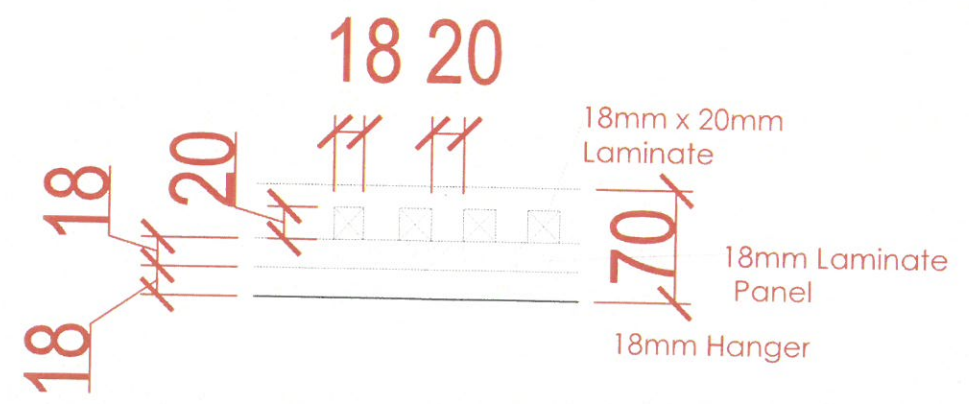
Elevation-B Details

MISSING JOINERY TO BE CONFIRM BY CITY CONTRACTING

- 1-1072 x 967 x 18 ⇒ 3 Panel M.D.F
- 2-1072 x 467 x 18 ⇒ 1 Panel M.D.F
- 3-1072 x 480 x 18 ⇒ 1 Panel M.D.F
- 4-1072 x 182 x 18 ⇒ 1 Panel M.D.F
- 5-1072 x 20 x 18 ⇒ 100 M.D.F

FINISHES

Colour:
 Range: Panel Colour:
RAL 7032



FOR APPROVAL

Project No. : ---
 Scale : N/A
 Drawn by : OBJ
 Checked : OBJ
 Cad File : CAD_FILE
 Sheet title
SMALL MTG ROOM Timber Slats WF06
 Floor Plan.

Dwg No. : WS-DS-SD-TP-020
 No. : SHEET 1

